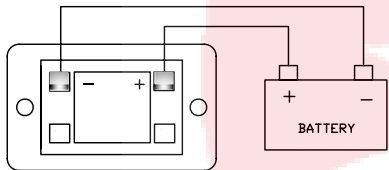
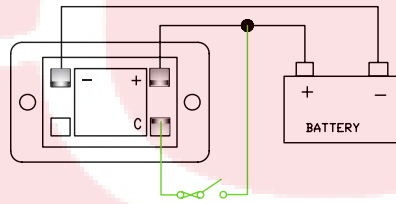


HT0624F Wiring



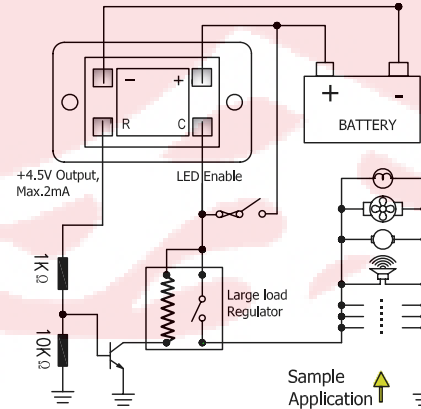
Directly connect to battery sets.

HT0624FC Wiring - LED Enable



Control pin: connect to the ignition switch via fuse.

HT0624FRC Wiring Diagram



C (LED Enable):
When terminal C is applied and pin +&- connected, instrument works, but LED doesn't display. LED is enabled by connecting terminal C to high voltage (e.g. illumination switch).

R (+4.5V Output, lockout):
R terminal has +4.5V output, and it cuts off the output when instrument detects that the battery is empty when #1&2 LED flash in turns.