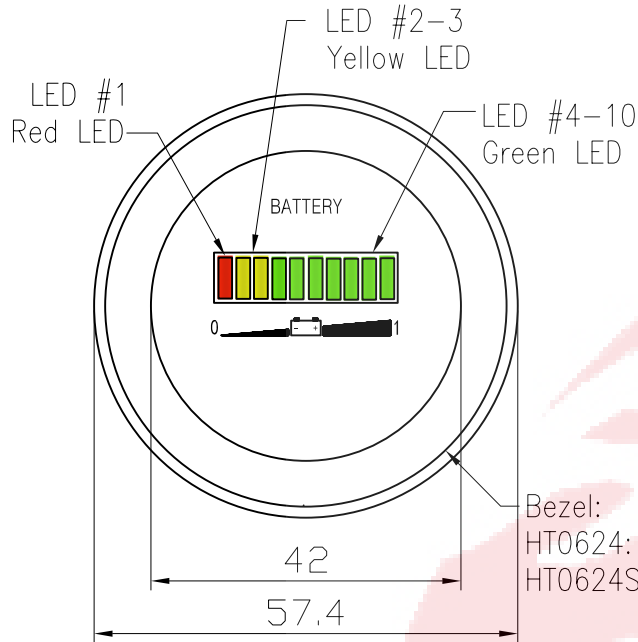


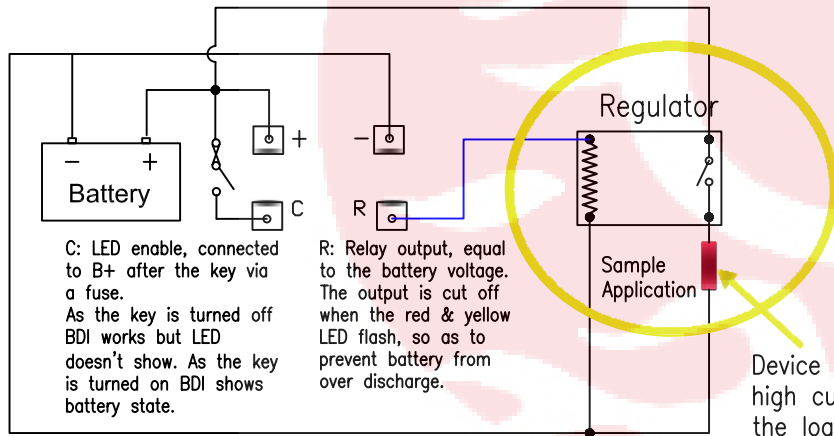
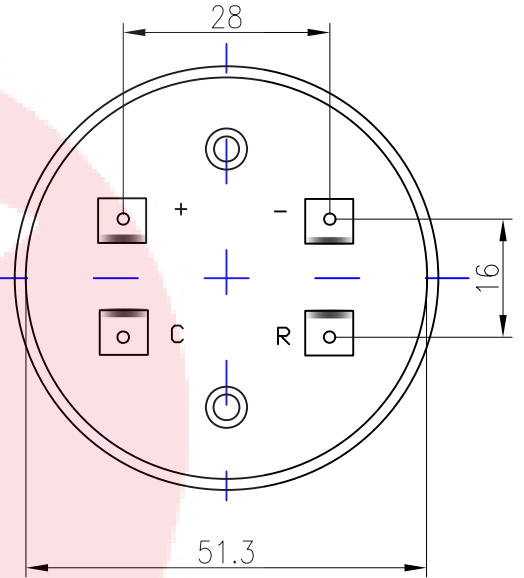
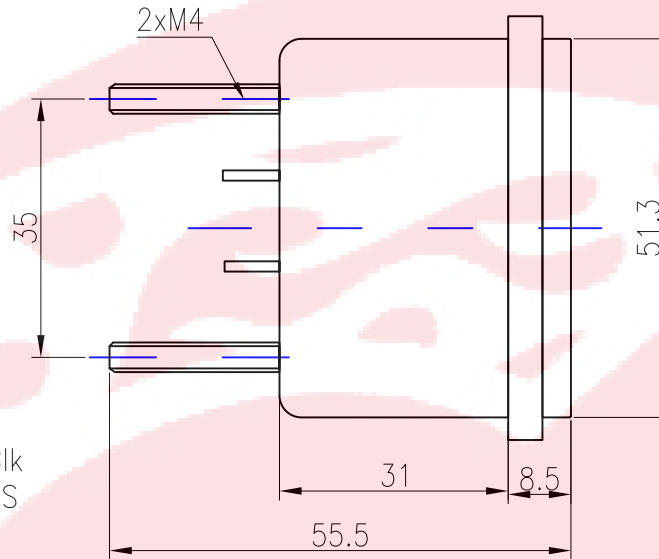


紹興華臻電子有限公司

SHAOXING HUAZHEN ELECTRONIC CO., LTD



Bezel:
HT0624: AL, Andz. Blk
HT0624S: Polished SS



C: LED enable, connected to B+ after the key via a fuse.
As the key is turned off BDI works but LED doesn't show. As the key is turned on BDI shows battery state.

R: Relay output, equal to the battery voltage. The output is cut off when the red & yellow LED flash, so as to prevent battery from over discharge.

Device that requires high current against the load

Battery Indicator
HT0624-12RC
(1.73-2.05) CE
Made in P.R.C. 20YY/MM

Battery Indicator
HT0624-24RC
(1.73-2.05) CE
Made in P.R.C. 20YY/MM

Battery Indicator
HT0624-36RC
(1.73-2.05) CE
Made in P.R.C. 20YY/MM

Battery Indicator
HT0624-48RC
(1.73-2.05) CE
Made in P.R.C. 20YY/MM

Battery Indicator
HT0624-72RC
(1.73-2.05) CE
Made in P.R.C. 20YY/MM

Battery Indicator
HT0624-80RC
(1.73-2.05) CE
Made in P.R.C. 20YY/MM

+	Power +
-	Power -
R	Relay output =Battery voltage
C	LED enable

All details in this file is highly confidential. Unauthorized usage, dissemination, distribution, copying of this file without permission of SHAOXING HUAZHEN Electronic Co.,Ltd is to be subject to legal privilege under the regulations of SHAOXING HUAZHEN Electronic Co., Ltd.